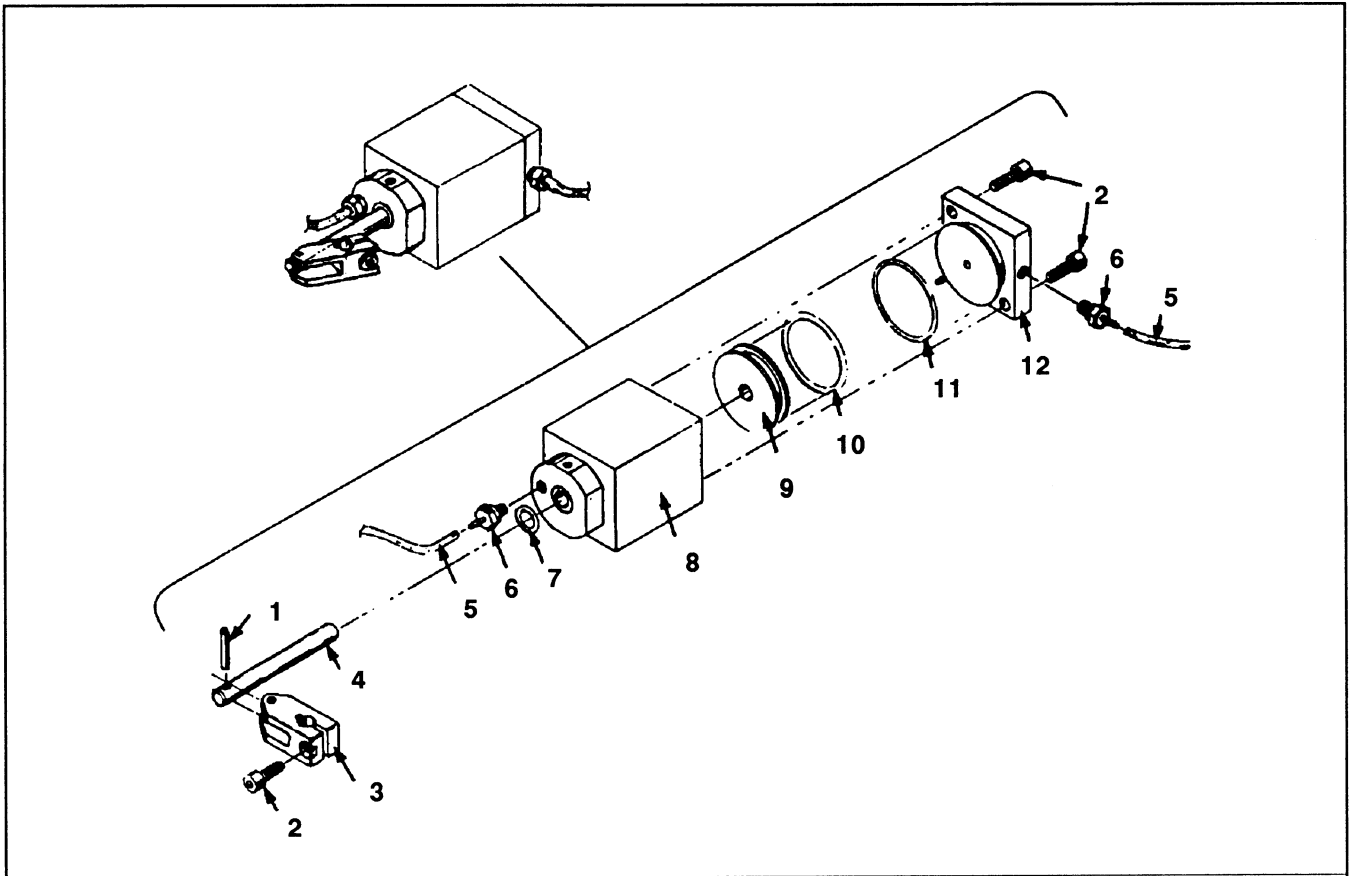


Figure 5. Valve Actuator Assembly (19325- 60660) (Sheet 1 of 2).



Item	Description	Part Number	Qty
1	Dowel Pin	1480-0017	1
2	Socket Head Screw, M4 x 8-mm	0515-0153	3
3	Link	19325-80010	1
4	Piston Rod	19325-20650	1
5	Teflon Tubing, 1/8-inch o.d. x 30 inches	0890-0746	1
6	Hose Fitting	0100-1205	2
7	O-ring, 0.239-inch i.d.	0905-0103	1
8	Actuator Cylinder	19325-20630	1
9	Piston	19325-20640	2
10	O-ring, 1.046-inch i.d.	0905-0626	1
11	O-ring, 1.176-inch i.d.	0905-0997	1
12	Cylinder End Cap	19325-20680	1

Figure 5. Valve Actuator Assembly (19325-60660) (Sheet 2 of 2).